

DM150 & DM200 SERIES

1½" & 2" POLYPROPYLENE



OVERVIEW

The Banjo DM150 and DM200 Series of dry quick disconnect fittings are designed to handle many of the industrial chemicals in use today with a minimum of fluid spillage. The easy to use ball valve design of the fittings allows an unrestricted path for fluid flow.

The handles interlock making it easy to identify which handle opens or closes first.

The Dry-Mate is constructed of glass-reinforced polypropylene for strength and excellent chemical resistance. The PTFE seats and FKM seals give the Dry-Mate the same chemical resistance as Banjo's standard line of ball valves.

The cam arm style of connection is one of the most recognized type of fluid connector in use. The Banjo Dry-Mate uses this style of connection for easy, quick, and positive engagement of the Dry-Mate components. The cam arms and mating profiles are 316SS for corrosion resistance. Both the cam arms and the mating profiles are easily replaceable if damaged.

The Female* has engagement ribs to provide correct alignment during assembly with the Male**.

The DM150 and DM200 Series have many safety features to reduce the risk of accidental spillage. Both handles have interlock buttons, which prevent the balls from opening when the halves are separated and the handles are in the fully closed position. The Female also has a 316SS yoke which keeps the cam arms in the locked position when the couplers are connected and the handle is in the fully open position. This prevents the couplers from being separated when the handles are in the fully open position. The gasket that seals between the two components is mechanically secured to ensure that the gasket stays in place when the halves are disconnected.

Both the Male and Female come standard with a dust cover to keep the balls and seals protected when not in use.

SPECIFICATIONS

Maximum Pressure 100 PSI @ 70° F Minimum Temperature -20°F @ 70 PSI Maximum Temperature 150° @ 70 PSI

PART NUMBER	DESCRIPTION	MAX PSI	PIPE SIZE	OPENING THRU BALL
DM150AD	1½" Poly Dry-Mate Set	100	1½"	1½"
DM150A	1½" Male x FPT NPT with FKM Seals	100	1½"	1½"
DM150AB	1½" Male x FPT BSP with FKM Seals	100	1½"	1½"
DM150ABE	1½" Male x FPT BSP with EPDM Seals	100	1½"	1½"
DM150AE	1½" Male x FPT NPT with EPDM Seals	100	1½"	1½"
DM150D	1½" Female x FPT NPT with FKM Seals	100	1½"	1½"
DM150DB	1½" Female x FPT BSP with FKM Seals	100	1½"	1½"
DM150DBE	1½" Female x FPT BSP with EPDM Seals	100	1½"	1½"
DM150DE	1½" Female x FPT NPT with EPDM Seals	100	1½"	1½"

*Female refers to DM150D and DM200D variants. **Male refers to DM150A and DM200A variants.

PART NUMBER	DESCRIPTION	MAX PSI	PIPE SIZE	OPENING THRU BALL
DM200AD	2" Poly Dry-Mate Set with FKM Seals	100	2"	1½"
DM200A	2" Male x FPT NPT with FKM Seals	100	2"	1½"
DM200AB	2" Male x FPT BSP with FKM Seals	100	2"	1½"
DM200ABE	2" Male x FPT BSP with EPDM Seals	100	2"	1½"
DM200AE	2" Male x FPT NPT with EPDM Seals	100	2"	1½"
DM200AT	2" Male x FPT NPT with Kalrez® Seals	100	2"	1½"
DM200ACF	2" Flanged Male with FKM Seals	100	2"	1½"
DMMT201A	2" Male x Male NPT with low profile handle with FKM Seals	100	2"	1½"
DMMT201AE	2" Male x Male NPT with low profile handle with EPDM Seals	100	2"	1½"
DM200D	2" Female x FPT NPT with FKM Seals	100	2"	1½"
DM200DB	2" Female x FPT BSP with FKM Seals	100	2"	1½"
DM200DBE	2" Female x FPT BSP with EPDM Seals	100	2"	1½"
DM200DE	2" Female x FPT NPT with EPDM Seals	100	2"	1½"
DM200DT	2" Female x FPT NPT with Kalrez® Seals	100	2"	1½"
DM200DCF	2" Flanged Female with FKM Seals	100	2"	1½"

WARNINGS



WARNING

Dry Mate Dry Disconnects should be used, inspected, serviced and rebuilt only by persons who have been properly trained and instructed on their use, inspection, servicing and rebuilding.

The Banjo DM150 and DM200 Series should not be used at pressures above the Maximum Pressure or at temperatures above the Maximum Temperature or below the Minimum Temperature indicated. Use outside of these parameters could cause failure of the fittings, which may result in significant injury or death.

Although sold separately, the Male should only be used with the Female, and the Female should only be used with the Male.

The Banjo DM150 and DM200 Series should not be used with chemicals or other fluids with which it is not compatible. Before use, confirm compatibility of the chemical or other fluid being transferred with the materials used in the Banjo DM150 and DM200 Series.



OPERATION WARNING

Make sure the cam arms are in the fully locked position as shown in Figure 3 before attempting to rotate the handle of either the Male or Female.

As the handle of the Female is being closed and before the handle is fully closed, the locking yoke that prevents the cam levers from being opened will disengage.

Make sure that the handle on the Female is fully closed before opening the cam arms.

If the cam arms are opened before the handle of the Female is fully closed, liquid may spray or be discharged, which may result in significant injury or death.



INSTALLATION WARNING

When installing the couplers, use a good quality thread sealant compatible with the liquid being used in the system. Screw the coupler onto the thread hand tight; using a wrench, tighten the coupler onto the thread another 1/4 to 1/2 turn.

The Male should always be installed on the high-pressure side of the system. Failure to install the Male on the high-pressure side can trap pressurized fluid between the balls, causing fluid to spray when the two halves are disconnected, which may result in significant injury or death!

Never open Male or Female couplings when disconnected. High-pressure fluid can be retained inside valve causing injury if opened while not connected to a mating coupler. Inspect all safety interlocks daily. If any of the safety features are not functioning or are damaged, unit must be repaired before using in service. Inspect cam and mating ribs for damage and wear. Bent or damaged parts as well as excessive wear can adversely affect product performance. Inspect seals and sealing area on faces of couplers for any signs of damage. All surfaces should be clean and damage free prior to connection.



DISASSEMBLY WARNING

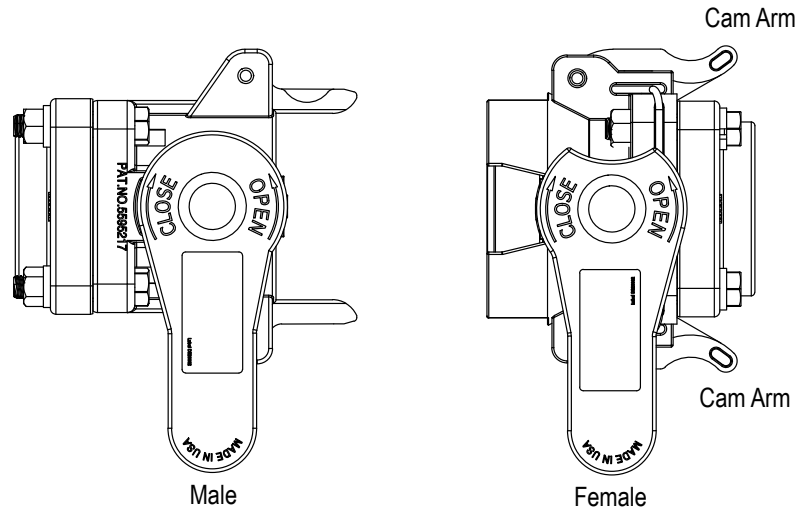
Make sure the Dry Mate is flushed clean of chemicals and other fluids before any rebuild or seal replacement.

OPERATION

STEP 1

To attach the two halves together, make sure the faces of the Male and Female are free from dirt or other foreign material. Align the two halves together as shown in Figure 1. The two halves can be rotated 10 degrees either direction with respect to each other as shown in Figure 2.

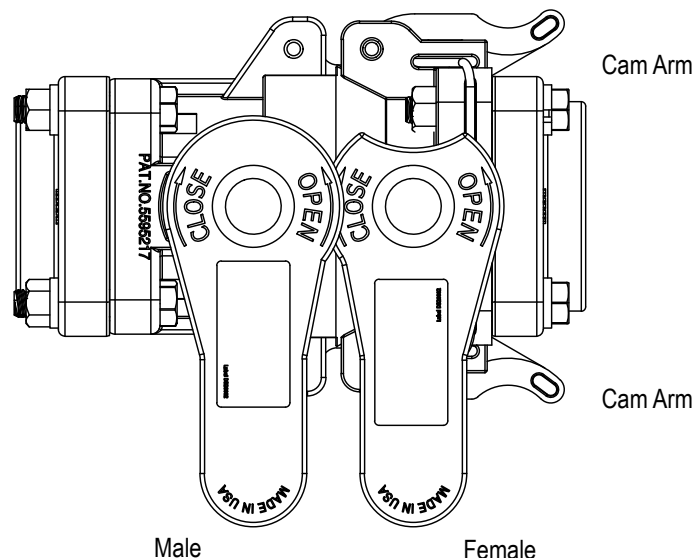
FIGURE 1



STEP 2

Slide the Female onto the Male. The alignment tabs on the Female will guide the profile inserts into the cam arms of the Female. After the assembly is together, rotate the cam arms toward the body of the Female. This will couple the halves together, depressing the anti-rotation buttons under the handles, which will allow the handles to rotate. After the cam arms are rotated in position, the assembly should look like Figure 2.

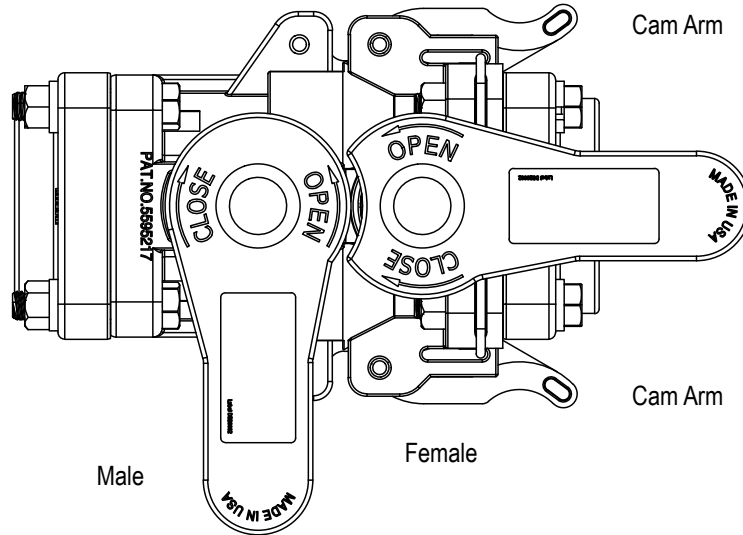
FIGURE 2



STEP 3

In this position, the handle of the Female must be rotated before the handle of the Male can rotate. Rotate the handle of the Female to the fully open position. When this handle is fully opened, the locking yoke will engage the cam arms and prevent the cam arms from being opened while the handle is in the fully open position. The handles should now be oriented as shown in Figure 3.

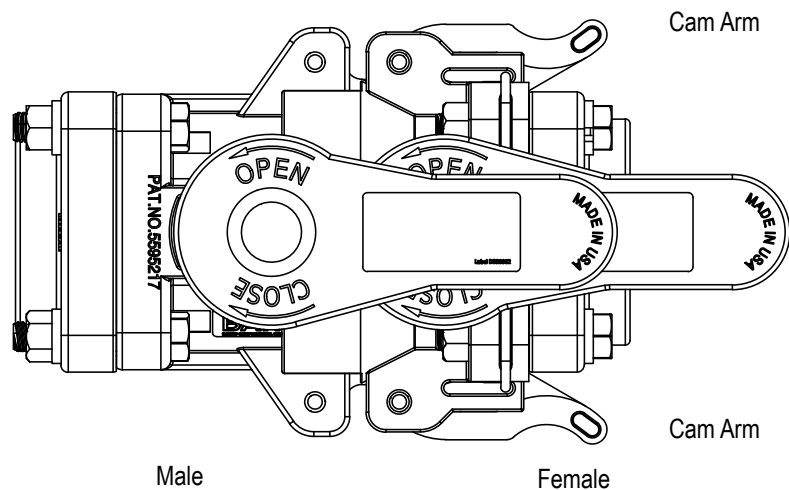
FIGURE 3



STEP 4

After the handle of the Female has been fully opened, the handle of the Male can be rotated. Rotate the handle of the Male to the fully open position. The assembly is now opened and flow may begin. When both valves are fully opened the handles should be oriented as shown in Figure 4.

FIGURE 4



To close the valves and disconnect the couplers, reverse steps 1 through 4.

DISASSEMBLY INSTRUCTIONS

POLYPROPYLENE DRY MATE REBUILD INSTRUCTIONS *Applies to Male (A) half only*

1. Remove the end plate by unscrewing the four (4) bolts/nuts.
2. Remove the ball. The handle should be in the closed position when removing the ball. The ball should slide out easily.
3. Remove the old seat that goes between the body and the ball.
4. Install the new seat.
5. Reinstall the ball. Check for pits, scrapes, or any other damage. If damaged or worn, replace ball.
6. Replace old seat in end plate with new seat.
7. Inspect old body o-ring. Replace if necessary.
8. Reinstall end plate on valve. Before tightening the end plate, make sure that the handle and ball are in the closed position. Tighten end plate bolts to 100 in-lb of torque.
9. Check to make sure the dry mate half is functional and all the safety features are working properly.

POLYPROPYLENE DRY MATE FACE SEAL REPLACEMENT INSTRUCTIONS *Applies to Female (D) half only*

1. Remove the end plate by unscrewing the four (4) bolts/nuts.
2. Remove the ball. The handle should be in the closed position when removing the ball.
The ball should slide out easily.
3. Remove the seat that goes between the Face Seal and the ball.
4. Remove the old Face Seal from the Dry Mate body, paying attention to how it sets in the valve body.
5. Install the new Face Seal.
6. Install the seat. Inspect the old seat for damage or wear. If damaged or worn, replace with new seat.
7. Reinstall the ball. Check for pits, scrapes, or any other damage. If damaged or worn, replace ball.
8. Check seat in end plate for wear or damage. If worn or damaged, replace with new seat.
9. Check body o-ring for wear or damage. If worn or damaged, replace with a new gasket.
10. Reinstall end plate on valve. Before tightening the end plate, make sure that the handle and ball are in the closed position. Tighten end plate to 100 in-lb of torque.
11. Check to make sure the dry mate half is functional and all the safety features are working properly.

Please see banjocorp.com for more product drawings.



BANJO CORPORATION

A Unit of IDEX Corporation
150 Banjo Drive
Crawfordsville, IN 47933 U.S.A.
Telephone: (765) 362-7367
Tech Sales: (888) 705-7020
Fax: (765) 362-0744
banjocorp.com
#yellowhandle

