



MV200CF

MV300CF

MANIFOLD 4 & 6 BOLTED VALVES

PART NO	DESCRIPTION	MAX PSI	PIPE SIZE	OPENING THRU BALL	QTY	REPLACEMENT HANDLE	REPAIR KIT
MV100CF	1" STANDARD PORT MANIFOLD VALVE	300	1"	1"	24/box	V10153A	V10200
MV200CF	2" STANDARD PORT MANIFOLD VALVE	225	2"	1½"	12/box	V20153	V20200
MV220CF	2" FULL PORT MANIFOLD VALVE	300	2"	2"	8/box	V25153	V25200
MV300	3" STANDARD PORT MANIFOLD VALVE	150	3"	2½"	6/box	V25153	V30200
MV300CF	3" FULL PORT MANIFOLD VALVE	200	3"	3"	6/box	V25153	V35200

1" - 3" 4 & 6 BOLTED VALVES

FEATURES

- FKM seals.
- Precision molded polypropylene is reinforced with fiberglass for additional strength
- Self-aligning ball moves freely against the PTFE seats for smooth operation. The valve opens and closes with very little pressure on the handle
- Ball is diamond turned, after molding, to make it spherically perfect, which provides precise contact between ball and seats.
- PTFE self-lubricating stem bushings and seats cannot stick or bind
- Stainless steel bolts

REPAIR KIT INCLUDES:

- Ball
- Body gasket
- Thrust washer
- Ball seats
- Upper stem bushing
- Stem o-ring



MANIFOLD BOLTED 5 WAY VALVE

PART NO	DESCRIPTION	MAX PSI	PIPE SIZE	OPENING THRU BALL	QTY	REPAIR KIT
MV225CF	2" FULL PORT MANIFOLD 5 WAY VALVE	100	2"	2"	1	MV225200

2" BOLTED 5 WAY VALVE

FEATURES

- FKM seals
- Precision molded polypropylene is reinforced with fiberglass for additional strength
- Self-aligning ball moves freely against the PTFE seats for smooth operation. The valve opens and closes with very little pressure on the handle
- Ball is diamond turned, after molding, to make it spherically perfect, which provides precise contact between ball and seats.
- PTFE self-lubricating stem bushings and seats cannot stick or bind
- Stainless steel bolts

2" STUBBY VALVES

FEATURES

- Precision molded polypropylene is reinforced with fiberglass for additional strength.
- Self-aligning ball moves freely against the PTFE seats for smooth operation. The valve opens and closes with very little pressure on the handle.
- Ball is diamond turned, after molding, to make it spherically perfect, which provides precise contact between ball and seats.
- PTFE self-lubricating stem bushings and seats cannot stick or bind.
- Stainless steel bolts.
- Standard size has TFE seals and Full Port size has FKM seals

REPAIR KIT INCLUDES:

- Ball
- Body gasket
- Thrust washer
- Ball seats
- Upper stem bushing
- Stem o-ring



VSMT200CF



VSF200CF



MVS220FP



MVSF220FP



MVS220CF



MVSMT220FP

2" MANIFOLD STUBBY VALVES

PART NO	DESCRIPTION	MAX PSI	PIPE SIZE	OPENING THRU BALL	QTY	REPLACEMENT HANDLE	REPAIR KIT
VSMT200CF	2" STANDARD PORT MANIFOLD VALVE FLANGE X MALE NPT W/TFE SEALS	150	2"	1½"	24/box	VS20152SH	VS20200
VSF200CF	2" STANDARD PORT MANIFOLD VALVE FLANGE X MALE ADAPTER W/TFE SEALS	100	2"	1½"	24/box	VS20152SH	VS20200
MVS220FP	2" FULL PORT MANIFOLD VALVE FLANGE X FEMALE NPT W/FKM SEALS	300	2"	2"	18/box	VS25153	VS25200
MVSF220FP	2" FULL PORT MANIFOLD VALVE FLANGE X MALE ADAPTER W/FKM SEALS	150	2"	2"	18/box	VS25153	VS25200
MVS220CF	2" FULL PORT MANIFOLD VALVE FLANGE X FLANGE W/FKM SEALS	150	2"	2"	18/box	VS25153	VS25200
MVSMT220FP	2" FULL PORT MANIFOLD VALVE FLANGE X MALE NPT W/FKM SEALS	225	2"	2"	18/box	VS25153	VS25200

2" FP STUBBY VALVES WITH STAINLESS STEEL



MVS220HSFP

MVSF220HSFP

MVSMT220HSFP

FEATURES

- Precision molded polypropylene is reinforced with fiberglass for additional strength.
- Self-aligning ball moves freely against the PTFE seats for smooth operation. The valve opens and closes with very little pressure on the handle.
- Stainless steel bolts
- Compact design
- FKM seals

2" FULL PORT MANIFOLD STUBBY VALVES WITH SS

PART NO	DESCRIPTION	MAX PSI	PIPE SIZE	OPENING THRU BALL	QTY	REPLACEMENT HANDLE	REPAIR KIT
MVS220HSFP	2" FULL PORT MANIFOLD STUBBY VALVE FLANGE X FLANGE WITH SS BALL, STEM & HANDLE	200	2"	2"	1	VS25153SS	VSSH25200
MVSF220HSFP	2" FULL PORT MANIFOLD STUBBY VALVE FLANGE X MALE ADAPTER WITH SS BALL, STEM & HANDLE	150	2"	2"	1	VS25153SS	VSSH25200
MVSMT220HSFP	2" FULL PORT MANIFOLD STUBBY VALVE MALE NPT X FLANGE WITH SS BALL, STEM & HANDLE	200	2"	2"	1	VS25153SS	VSSH25200

REPAIR KIT INCLUDES:

- Ball
- Body gasket
- Thrust washer
- Ball seats
- Upper stem bushing
- Stem o-ring

2" FP STUBBY STAINLESS STEEL VALVES



MVSF220SS

VSFMT200SS

FEATURES

- PTFE seals, no elastomers
- Self-aligning ball moves freely against the PTFE seats for smooth operation. The valve opens and closes with very little pressure on the handle
- PTFE self-lubricating stem bushings and seats cannot stick or bind

2" FULL PORT MANIFOLD STUBBY STAINLESS STEEL VALVES

PART NO	DESCRIPTION	MAX PSI	PIPE SIZE	OPENING THRU BALL	QTY	REPLACEMENT HANDLE	REPAIR KIT
MVSF220SS	2" FULL PORT MANIFOLD STUBBY SS VALVE FLANGE X FLANGE	200	2"	2"	1	VSS20153	VSS25200
VSFMT200SS	2" FULL PORT MANIFOLD STUBBY SS VALVE FLANGE X MALE ADAPTER	150	2"	2"	1	VSS20153	VSS25200

3" STUBBY VALVES

FEATURES

- FKM seals.
- Precision molded polypropylene is reinforced with fiberglass for additional strength.
- Self-aligning ball moves freely against the PTFE seats for smooth operation. The valve opens and closes with very little pressure on the handle.
- Ball is diamond turned, after molding, to make it spherically perfect, which provides precise contact between ball and seats.
- PTFE self-lubricating stem bushings and seats cannot stick or bind.
- Stainless steel bolts.

REPAIR KIT INCLUDES:

- Ball
- Body gasket
- Thrust washer
- Ball seats
- Upper stem bushing
- Stem o-ring



MVSF300

MVSF300FP



MVSMT300

MVS300CF



MVS300CFFP

3" MANIFOLD STUBBY VALVES

PART NO	DESCRIPTION	MAX PSI	PIPE SIZE	OPENING THRU BALL	QTY	REPLACEMENT HANDLE	REPAIR KIT
MVSF300	3" STANDARD PORT MANIFOLD VALVE FLANGE X MALE ADAPTER	100	3"	2½"	6/box	V25153	VS30200
MVSF300FP	3" FULL PORT MANIFOLD VALVE FLANGE X MALE ADAPTER	100	3"	3"	6/box	V25153	VS35200
MVSMT300	3" STANDARD PORT MANIFOLD VALVE FLANGE X MALE NPT	225	3"	2½"	8/box	V25153	VS30200
MVS300CF	3" STANDARD PORT MANIFOLD VALVE FLANGE X FLANGE	200	3"	2½"	6/box	V25153	VS30200
MVS300CFFP	3" FULL PORT MANIFOLD VALVE FLANGE X FLANGE	150	3"	3"	6/box	V25153	VS35200

3" FP STUBBY VALVES WITH STAINLESS STEEL



MVS300HSFP

MVSF300HSFP



MVSMT300HSFP

FEATURES

- Precision molded polypropylene is reinforced with fiberglass for additional strength.
- Self-aligning ball moves freely against the PTFE seats for smooth operation. The valve opens and closes with very little pressure on the handle.
- Ball is diamond turned, after molding, to make it spherically perfect, which provides precise contact between ball and seats.
- Stainless steel bolts
- Compact design
- FKM seals

REPAIR KIT INCLUDES:

- Ball
- Body gasket
- Thrust washer
- Ball seats
- Upper stem bushing
- Stem o-ring

3" FULL PORT MANIFOLD STUBBY VALVES WITH SS

PART NO	DESCRIPTION	MAX PSI	PIPE SIZE	OPENING THRU BALL	QTY	REPLACEMENT HANDLE	REPAIR KIT
MVS300HSFP	3" FULL PORT MANIFOLD STUBBY VALVE FLANGE X FLANGE WITH SS BALL, STEM & HANDLE	100	3"	3"	1	VS30153SS	VSSH35200
MVSF300HSFP	3" FULL PORT MANIFOLD STUBBY VALVE FLANGE X MALE ADAPTER WITH SS BALL, STEM & HANDLE	100	3"	3"	1	VS30153SS	VSSH35200
MVSMT300HSFP	3" FULL PORT MANIFOLD STUBBY VALVE MALE NPT X FLANGE WITH SS BALL, STEM & HANDLE	200	3"	3"	1	VS30153SS	VSSH35200

3 WAY BOTTOM LOAD BALL VALVES

FEATURES

- Stainless steel bolts
- Precision molded in fiberglass reinforced polypropylene for additional strength
- Self-aligning ball moves freely against the PTFE seats for smooth operation
- Ball is diamond turned after molding to make it spherically perfect, which provides precise contact between ball and seats
- PTFE self-lubricating stem bushings and seats
- FKM body seals
- Directional flow, right or left. Valve can be turned off to stop flow

REPAIR KIT INCLUDES:

- Ball
- Body gasket
- Thrust washer
- Ball seats
- Upper stem bushing
- Stem o-ring



3 WAY BOTTOM LOAD MANIFOLD VALVES

PART NO	DESCRIPTION	MAX PSI	PIPE SIZE	OPENING THRU BALL	QTY	HANDLE TYPE	REPLACEMENT HANDLE	REPAIR KIT
MV100BL	1" 3-WAY BOTTOM LOAD MANIFOLD VALVE	300	1"	1"	18/box	T	V10353TB	MV10300SL
MV200BL	2" 3-WAY BOTTOM LOAD MANIFOLD VALVE	225	2"	1½"	12/box	T	V20353TB	MV10300SL
MV220BL	2" FP 3-WAY BOTTOM LOAD MANIFOLD VALVE	150	2"	2"	8/box	STRAIGHT	V25353B	V25200BL
MV300BL	3" FP 3-WAY BOTTOM LOAD MANIFOLD VALVE	150	3"	3"	4/box	STRAIGHT	V25353B	V35200BL

3 WAY SIDE LOAD BALL VALVES

FEATURES

- Stainless steel bolts
- Precision molded in fiberglass reinforced polypropylene for additional strength
- Self-aligning ball moves freely against the PTFE seats for smooth operation
- Ball is diamond turned after molding to make it spherically perfect, which provides precise contact between ball and seats
- PTFE self-lubricating stem bushings and seats
- FKM body seals
- Directional flow, right or left. Valve cannot be turned off to stop flow



3 WAY SIDE LOAD MANIFOLD VALVES

PART NO	DESCRIPTION	MAX PSI	PIPE SIZE	OPENING THRU BALL	QTY	HANDLE TYPE	REPLACEMENT HANDLE	REPAIR KIT
MV100SL	1" 3-WAY SIDE LOAD MANIFOLD VALVE	300	1"	1"	18/box	T	V20353TS	MV10300SL
MV200SL	2" 3-WAY SIDE LOAD MANIFOLD VALVE	225	2"	1½"	10/box	STRAIGHT	V20153SH	MV10300SL
MV220SL	2" 3-WAY SIDE LOAD FULL PORT MANIFOLD VALVE	100	2"	2"	8/box	STRAIGHT	V25153SH	V25200BL

PRESSURE SPIKE VALVES



FEATURES

- FKM seals.
- Precision molded polypropylene is reinforced with fiberglass for additional strength.
- 360° orientation
- Preset pressure spring

MANIFOLD PRESSURE SPIKE VALVES

PART NO	DESCRIPTION	PRESSURE SPIKE	QTY
MPRV100-100	1" MANIFOLD PRESSURE SPIKE VALVE	300	1
MPRV100-125	1" X 1½" MANIFOLD PRESSURE SPIKE VALVE	300	1

DRY-MATE™ DRY-DISCONNECTS



FEATURES

- Easy to use
- Minimal fluid spillage
- Reduces risk of exposure
- Wide range of chemical resistance
- When properly installed and operated, the assembly will not accidentally separate while fluid is flowing; preventing costly mishaps.
- Spillage data: 2"=4ml, 3"=15ml

MANIFOLD DRY DISCONNECTS

PART NO	DESCRIPTION	MAX PSI	PIPE SIZE	OPENING THRU BALL	QTY	REPLACEMENT HANDLE	REPAIR KIT
DM200ACF	2" MALE MANIFOLD DRY-MATE WITH FKM SEALS	100	2"	1½"	1	DM20153M	DM20200A
DM200DCF	2" FEMALE MANIFOLD DRY-MATE WITH FKM SEALS	100	2"	1½"	1	DM20153F	DM20200D
DM300ACF	3" MALE MANIFOLD DRY-MATE WITH FKM SEALS	150	3"	3"	1	DM35153M	DM35200
DM300DCF	3" FEMALE MANIFOLD DRY-MATE WITH FKM SEALS	150	3"	3"	1	DM35153F	DM35200

Note: Male and female sold separately

REPAIR KIT INCLUDES:

- Face seal
- Ball
- Seats
- Body gasket
- Thrust bearings
- Stem bushings

BOOM NOZZLE PIPE ADAPTER

FEATURES

- Eliminates having to thread pipe
- Quick and easy assembly
- No welding necessary
- 360° orientation



M100PA



M100PAC



M100PAT

BOOM NOZZLE PIPE ADAPTER

PART NO	DESCRIPTION	MAX PSI	QTY
M100PA	1" FLANGED PIPE ADAPTER	300	1
M100PAC	1" FLANGED PIPE ADAPTER CAP	300	1
M100PAT	1" FLANGED PIPE ADAPTER TEE	300	1

INDUCTORS

FEATURES

- Threaded or manifold ends
- Glass reinforced polypropylene
- Designed for use with a volume pump. Typical volumes (80-240 US GPM) and pressures (26-52 PSI) should be used to operate the inductor.



HV200



MHV220A

MANIFOLD INDUCTORS

PART NO	DESCRIPTION	PRESSURE AT PUMP	VOLUME DRAW	OPENING SIZE	QTY
HV200	2" MPT INDUCTOR	50	49 GPM	7/16"	1
MHV200	2" MANIFOLD INDUCTOR WITH 1 1/2" PORT	50	37 GPM	5/16"	1
MHV220A	2" FULL PORT MANIFOLD INDUCTOR	50	49 GPM	9/16"	1

INDUCTOR SYSTEMS

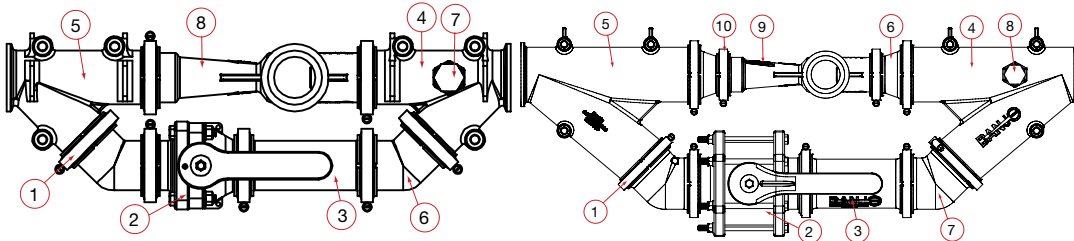
FEATURES

- Installed after pump; suction completely empties inductor tank
- Keeps pump free of chemicals
- Easy assembly/installation with manifold connections found on pages 43-49.
- Choose your connections and valve
- Tank for illustration purposes only, not included



MANIFOLD INDUCTOR SYSTEMS

PART NO	DESCRIPTION	MAX PSI	QTY
MIS220	2" FULL PORT MANIFOLD INDUCTOR SYSTEM FLANGE X FLANGE ASSEMBLED	225	1
MIS300	3" FULL PORT MANIFOLD INDUCTOR SYSTEM FLANGE X FLANGE ASSEMBLED	150	1



MANIFOLD INDUCTORS

ITEM	PART NO	DESCRIPTION	QTY
1	FC220	220 SERIES WORM SCREW CLAMP	10
2	MVS220CF	2" FP FLANGE X 2" FP FLANGE	1
3	M220CPG6	2" X 2" FULL PORT FLANGE X 6"	1
4	M220YG45	2" FULL PORT 45° Y FLANGE W/ 3/4" GAUGE PORT*	1
5	M220Y45	2" FULL PORT 45° Y FLANGE	1
6	M220CPG45	2" FULL PORT 45° COUPLING	2
7	PLUG075	3/4" PIPE PLUG	1
8	MHV220A	2" FULL PORT POLY VENTURI	1
N/S	M221G	2" FULL PORT EPDM MANIFOLD GASKET WITH RIB	7

MANIFOLD INDUCTORS

ITEM	PART NO	DESCRIPTION	QTY
1	FC300	300 SERIES WORM SCREW CLAMP	7
2	MV301CF	3" FP FLANGE X 3" FP FLANGE	1
3	M300CPG7	3" X 3" FULL PORT FLANGE X 7"	1
4	M300YG45	3" FULL PORT 45° Y FLANGE W/ 3/4" GAUGE PORT*	1
5	M300Y45	3" FULL PORT 45° Y FLANGE	1
6	M300220CPG	3" X 2" FULL PORT REDUCER FLANGE	1
7	M300CPG45	3" FULL PORT 45° COUPLING	2
8	PLUG075	3/4" PIPE PLUG	1
9	MHV220A	2" FULL PORT POLY VENTURI	1
10	FC220	220 SERIES WORM SCREW CLAMP	3
N/S	M221G	2" FULL PORT EPDM MANIFOLD GASKET WITH RIB	2
N/S	M301G	3" EPDM MANIFOLD GASKET WITH RIB	7

*Note: Gauge not included.

FLOW METERS

FEATURES

- Displays overall total volume and batch total volume
- Flow rate allows for Gallons or Liters per minute
- The display reads 6 digits for rate, 8 digits for total and 1 decimal place reading in tenths
- Magnetic style meter with stainless steel electrodes
- Self calibrating meter
- Measures water and most conductive liquids
- Easy to change six (6) AA batteries
- No moving parts to fail during use
- Glass-reinforced polypropylene
- Temperature range from 0°F to 150°F
- ±1% of reading (between 10% and 100% of maximum flow)
- ±3% of reading (between cutoff and 10% of maximum flow)
- There are 3 photoeyes located on the face of the flow meter. These are not push buttons; to activate you must hold your finger over the photoeye for 2-4 seconds
- Flow meters will not read petroleum based liquids
- It is recommended to have at least 10X the diameter of straight pipe before and after the flow meter



FM100



MFM100



MFM220



MFM300

FLOW METERS

PART NO	DESCRIPTION	MAX PSI	GPM	QTY
FM100	1" FULL PORT FEMALE NPT FLOW METER	200	110 GPM	1
MFM100	1" FULL PORT MANIFOLD FLOW METER	200	110 GPM	1
MFM220	2" FULL PORT MANIFOLD FLOW METER	200	300 GPM	1
MFM300	3" FULL PORT FLOW METER	200	670 GPM	1



SWEEPS

FEATURES

- Direct replacement for standard 90° flanged couplings
- Positive seals
- Quick and easy assembly
- Easy on/off hose connections
- 360° orientation
- Improved flow for max GPM

SWEEPS

PART NO	DESCRIPTION	MAX PSI	QTY
M100125BRBSWP90	1" FLANGE X 1/4" HOSE SHANK SWEEP	300	1
M100BRBSWP90	1" FLANGE X HOSE SHANK SWEEP	300	1
M100BRBSWPG90	1" FULL PORT FLANGE X 1" HOSE SHANK SWEEP W/ 1/4" GAUGE PORT	300	1
M100SWP90	1" FLANGE X FLANGE SWEEP	300	1
M100SWPG90	1" FLANGE X FLANGE SWEEP W 1/4" GAUGE PORT	300	1
M200150BRBSWP90	2" FLANGE X 1/2" HOSE SHANK SWEEP	300	1
M200SWP90	2" FLANGE X FLANGE SWEEP	300	1
M220200SWP90	2" FULL PORT FLANGE X 2" FLANGE SWEEP	300	1
M220ASWP90	2" FULL PORT FLANGE X MALE ADAPTER SWEEP	200	1
M220BRBSWP90	2" FULL PORT FLANGE X HOSE SHANK SWEEP	300	1
M220MPTSWP90	2" FULL PORT FLANGE X MALE NPT THREAD SWEEP	300	1
M220SWP90	2" FULL PORT FLANGE X FLANGE SWEEP	300	1
M220SWPG90	2" FULL PORT FLANGE X FLANGE SWEEP W/ 1/4" GAUGE PORT	300	1
M220SWP90SS	2" FULL PORT SS FLANGE X FLANGE SWEEP	300	1
M300ASWP90	3" FLANGE X MALE ADAPTER SWEEP	100	1
M300BRBSWP90	3" FLANGE X HOSE SHANK SWEEP	225	1
M300MPTSWP90	3" FLANGE X MALE NPT THREAD SWEEP	200	1
M300SWP90	3" FLANGE X FLANGE SWEEP	200	1
M300SWPG90	3" FLANGE X FLANGE SWEEP W/ 1/4" GAUGE PORT	200	1
M300220SWP90	3" FULL PORT FLANGE X 2" FULL PORT FLANGE SWEEP	300	1

FITTINGS

FEATURES

- Quick and easy assembly
- Positive seals
- Easy on/off hose connections
- 360° orientation
- Where noted, parts must be ordered in bag quantities.



SWIVEL

PART NO	DESCRIPTION	MAX PSI	QTY
MSW220	2" FULL PORT MANIFOLD FLANGE SWIVEL	200	1

CHECK VALVES

PART NO	DESCRIPTION	MAX PSI	QTY
MCV100	1" FLANGED CHECK VALVE	300	1
MCV200	2" FLANGED CHECK VALVE	300	1
MCV221	2" FULL PORT FLANGED CHECK VALVE	200	1
MCV300	3" FLANGED CHECK VALVE W/5 LB SPRING	200	1
MCV301	3" FLANGED CHECK VALVE W/1/2 LB SPRING	200	1

PVC GLUE SOCKET

PART NO	DESCRIPTION	MAX PSI	QTY
M101GSA	1" FLANGE X 1" PVC GLUE SOCKET FITTING	300	1
M221GSA	2" FULL PORT FLANGE X 2" PVC GLUE SOCKET FITTING	300	1
M301GSA	3" FULL PORT FLANGE X 3" PVC GLUE SOCKET FITTING	300	1

316 SS SOCKET WELD

PART NO	DESCRIPTION	MAX PSI	QTY
M100SWFSS	1" FLANGE X 1" SOCKET WELD FITTING	300	1
M104SWFSS	1" FLANGE X 1" SOCKET WELD FITTINGS X 4"	300	1
M200SWFSS	2" FLANGE X 2" SOCKET WELD FITTING	300	1
M220SWFSS	2" FULL PORT FLANGE X 2" SOCKET WELD FITTING	300	1
M220375SWFSS	2" FULL PORT FLANGE X 2" SOCKET WELD FITTING X 3/4"	300	1
M300SWFSS	3" FLANGE X 3" SOCKET WELD FITTING	300	1
M300375SWFSS	3" FLANGE X 3" SOCKET WELD FITTING X 3/4"	300	1

COUPLINGS

PART NO	DESCRIPTION	MAX PSI	QTY
M100CPG	1" X 1" FLANGE X 2 1/4" LONG	300	10/BAG
M200CPG	2" X 2" FLANGE X 4 1/2" LONG	300	10/BAG
M220CPG	2" X 2" FULL PORT FLANGE X 2 31/32" LONG	300	10/BAG
M220CPG3G	2" X 2" FULL PORT FLANGE X 3" LONG WITH 1/2" GAUGE PORT	225	1
M220CPG6	2" X 2" FULL PORT FLANGE X 6" LONG	300	1
M300CPG	3" X 3" FULL PORT FLANGE X 4" LONG	200	1
M300CPG7	3" X 3" FULL PORT FLANGE X 7" LONG	225	1
M300CPG12	3" X 3" FULL PORT FLANGE X 12" LONG	150	1

45° COUPLINGS

PART NO	DESCRIPTION	MAX PSI	QTY
M100CPG45	1" X 1" 45° FLANGE	300	10/BAG
M200CPG45	2" X 2" 45° FLANGE	300	10/BAG
M220CPG45	2" X 2" FULL PORT 45° FLANGE	225	10/BAG
M300CPG45	3" X 3" FULL PORT 45° FLANGE	225	1



90° COUPLINGS			
PART NO	DESCRIPTION	MAX PSI	QTY
M100CPG90	1" X 1" 90° FLANGE	300	10/BAG
M200CPG90	2" X 2" 90° FLANGE	300	1
M200CPG90SH	2" X 2" 90° SHORT FLANGE	300	1
M220CPG90	2" X 2" 90° FULL PORT FLANGE	200	1
M300CPG90	3" X 3" 90° FULL PORT FLANGE	200	1



45° Y FLANGED COUPLINGS			
PART NO	DESCRIPTION	MAX PSI	QTY
M200YG45	2" FULL PORT 45° Y FLANGE	300	1
M220YG45	2" FULL PORT 45° Y FLANGE	300	1
M220YG45	2" FULL PORT 45° Y FLANGE W/ 1/4" GAUGE PORT	225	1
M300YG45	3" FULL PORT 45° Y FLANGE	200	1
M300YG45	3" FULL PORT 45° Y FLANGE W/ 1/4" GAUGE PORT	200	1



3" MANIFOLD WYE			
PART NO	DESCRIPTION	MAX PSI	QTY
M300220WYCG	M300 X M220 X M220 X M220 FULL PORT FLANGE WYE W/ 1/4" GAUGE PORT	300	1



REDUCER COUPLINGS			
PART NO	DESCRIPTION	MAX PSI	QTY
M200100CPG	2" X 1" REDUCER FLANGE	300	10/BAG
M220100CPG	2" FULL PORT X 1" REDUCER FLANGE	225	10/BAG
M220200CPG	2" FULL PORT X 2" REDUCER FLANGE	225	10/BAG
M300200CPG	3" X 2" REDUCER FLANGE	225	1
M300220CPG	3" X 2" FULL PORT REDUCER FLANGE	225	1



TEES			
PART NO	DESCRIPTION	MAX PSI	QTY
M100TEE	1" FLANGED TEE	300	10/BAG
M101TEE	1" FLANGED TEE LONG	300	10/BAG
M200100TEE	2" X 1" FLANGED TEE	300	1
M200TEE	2" FLANGED TEE	300	1
M220100TEE	2" FULL PORT FLANGED TEE X 1" FLANGED TEE	225	1
M220200TEE	2" FULL PORT FLANGED TEE X 2" FLANGED TEE	300	1
M220TEE	2" FULL PORT FLANGED TEE	225	1
M300TEE	3" FLANGED TEE	225	1



U BOLTS			
PART NO	DESCRIPTION	MAX PSI	QTY
UB100	100 SERIES MOUNTING U BOLT	N/A	1
UB202	2 SERIES MOUNTING U BOLT	N/A	1
UB220	220 SERIES MOUNTING U BOLT	N/A	1

FITTINGS

FEATURES

- Quick and easy assembly
- Positive seals
- Easy on/off hose connections
- 360° orientation
- Where noted, parts must be ordered in bag quantities

FITTINGS

FEATURES

- Quick and easy assembly
- Positive seals
- Easy on/off hose connections
- 360° orientation
- Where noted, parts must be ordered in bag quantities.



SS BUTT WELD ADAPTER

PART NO	DESCRIPTION	MAX PSI	QTY
M220BWASS	2" FULL PORT STAINLESS STEEL BUTT WELD ADAPTER	300	1



BRITISH STANDARD PIPE (BSP)

PART NO	DESCRIPTION	MAX PSI	QTY
M100BSP	1" FLANGE X 1" MALE BSP	300	10/BAG
M200BSP	2" FLANGE X 2" MALE BSP	300	10/BAG
M220BSP	2" FULL PORT FLANGE X 2" MALE BSP	300	10/BAG
M300BSP	3" FULL PORT FLANGE X 3" MALE BSP	200	1



FEMALE NPT THREAD

PART NO	DESCRIPTION	MAX PSI	QTY
M100050FPT	1" FLANGE X 1/2" FEMALE THREAD	300	10/BAG
M100075FPT	1" FLANGE X 3/4" FEMALE THREAD	300	10/BAG
M100FPT	1" FLANGE X 1" FEMALE THREAD	300	10/BAG
M200FPT	2" FLANGE X 2" FEMALE THREAD	300	10/BAG
M220FPT	2" FULL PORT FLANGE X 2" FEMALE THREAD	300	10/BAG
M300FPT	3" FLANGE X 3" FEMALE THREAD	200	1



MALE THREAD

PART NO	DESCRIPTION	MAX PSI	QTY
M100075MPT	1" FLANGE X 3/4" MALE THREAD	300	10/BAG
M100MPT	1" FLANGE X 1" MALE THREAD	300	10/BAG
M100125MPT	1" FLANGE X 1 1/4" MALE THREAD	300	10/BAG
M200125MPT	2" FLANGE X 1 1/4" MALE THREAD	300	10/BAG
M200150MPT	2" FLANGE X 1 1/2" MALE THREAD	300	10/BAG
M200MPT	2" FLANGE X 2" MALE THREAD	300	10/BAG
M220MPT	2" FULL PORT FLANGE X 2" MALE THREAD	300	10/BAG
M300MPT	3" FLANGE X 3" MALE THREAD	300	1



316 SS MALE THREAD

PART NO	DESCRIPTION	MAX PSI	QTY
M100MPTSS	1" FLANGE X 1" MALE THREAD	300	1
M200125MPTSS	2" FLANGE X 1 1/4" MALE THREAD	300	1
M200150MPTSS	2" FLANGE X 1 1/2" MALE THREAD	300	1
M200MPTSS	2" FLANGE X 2" MALE THREAD	300	1
M220150MPTSS	2" FULL PORT FLANGE X 1 1/2" MALE THREAD	300	1
M220MPTSS	2" FULL PORT FLANGE X 2" MALE THREAD	300	1
M300220MPTSS	3" FLANGE X 2" FULL PORT MALE THREAD	300	1
M300MPTSS	3" FLANGE X 3" MALE THREAD	300	1

FITTINGS

FEATURES

- Quick and easy assembly
- Positive seals
- Easy on/off hose connections
- 360° orientation
- Where noted, parts must be ordered in bag quantities

PLUGS

PART NO	DESCRIPTION	MAX PSI	QTY
M100PLG	1" FLANGE PLUG	300	10/BAG
M200PLG	2" FLANGE PLUG	300	10/BAG
M220PLG	2" FULL PORT FLANGE PLUG	300	10/BAG
M300PLG	3" FULL PORT FLANGE PLUG	225	10/BAG
M100PLG025	1" FLANGE PLUG WITH 1/4" FPT	300	10/BAG
M100PLG050	1" FLANGE PLUG WITH 1/2" FPT	300	10/BAG
M200PLG025	2" FLANGE PLUG WITH 1/4" FPT	225	10/BAG
M200PLG038	2" FLANGE PLUG WITH 3/8" FPT	300	10/BAG
M200PLG050	2" FLANGE PLUG WITH 1/2" FPT	225	10/BAG
M200PLG075	2" FLANGE PLUG WITH 3/4" FPT	225	10/BAG
M200PLG100	2" FLANGE PLUG WITH 1" FPT	225	10/BAG
M220PLG038	2" FULL PORT FLANGE PLUG WITH 3/8" FPT	150	10/BAG
M220PLG075	2" FULL PORT FLANGE PLUG WITH 3/4" FPT	225	10/BAG
M300PLG075	3" FLANGE PLUG WITH 3/4" FPT	200	10/BAG
M300PLG100	3" FLANGE PLUG WITH 1" FPT	200	1



FEMALE COUPLER

PART NO	DESCRIPTION	MAX PSI	QTY
M220D	2" FULL PORT FLANGE X 2" FEMALE COUPLER	225	1
M303D	3" FULL PORT FLANGE X 3" FEMALE COUPLER WITH 3 ARMS	225	1



MALE ADAPTER

PART NO	DESCRIPTION	MAX PSI	QTY
M100A	1" FLANGE X 1" MALE ADAPTER	300	10/BAG
M200A	2" FLANGE X 2" MALE ADAPTER	300	10/BAG
M220A	2" FULL PORT FLANGE X 2" MALE ADAPTER	225	10/BAG
M300A	3" FULL PORT FLANGE X 3" MALE ADAPTER	100	1



CROSS

PART NO	DESCRIPTION	MAX PSI	QTY
M100CR	1" FLANGED CROSS	300	10/BAG
M200CR	2" FLANGED CROSS	300	1
M220CR	2" FULL PORT FLANGED CROSS	200	1
M300CR	3" FLANGED CROSS	125	1



FITTINGS

FEATURES

- Quick and easy assembly
- Positive seals
- Easy on/off hose connections
- 360° orientation
- Where noted, parts must be ordered in bag quantities.



HOSE BARB

PART NO	DESCRIPTION	MAX PSI	QTY
M100075BRB	1" FLANGE X 3/4" HOSE BARB	300	10/BAG
M100BRB	1" FLANGE X 1" HOSE BARB	300	10/BAG
M100125BRB	1" FLANGE X 1 1/4" HOSE BARB	300	10/BAG
M200100BRB	2" FLANGE X 1" HOSE BARB	300	10/BAG
M200125BRB	2" FLANGE X 1 1/4" HOSE BARB	300	10/BAG
M200150BRB	2" FLANGE X 1 1/2" HOSE BARB	300	10/BAG
M200BRB	2" FLANGE X 2" HOSE BARB	300	10/BAG
M220100BRB	2" FULL PORT FLANGE X 1" HOSE BARB	300	10/BAG
M220125BRB	2" FULL PORT FLANGE X 1 1/4" HOSE BARB	300	10/BAG
M220150BRB	2" FULL PORT FLANGE X 1 1/2" HOSE BARB	300	10/BAG
M220250BRB	2" FULL PORT FLANGE X 2 1/2" HOSE BARB	225	1
M220BRB	2" FULL PORT FLANGE X 2" HOSE BARB	300	10/BAG
M300220BRB	3" FLANGE X 2" FULL PORT HOSE BARB	125	1
M300BRB	3" FLANGE X 3" HOSE BARB	200	1

90° HOSE BARB ELBOW

PART NO	DESCRIPTION	MAX PSI	QTY
M100075BRB90	1" FLANGE X 3/4" 90° HOSE BARB	300	10/BAG
M100BRB90	1" FLANGE X 1" 90° HOSE BARB	300	10/BAG
M100125BRB90	1" FLANGE X 1 1/4" 90° HOSE BARB	300	10/BAG
M100150BRB90	1" FLANGE X 1 1/2" 90° HOSE BARB	300	10/BAG
M200100BRB90	2" FLANGE X 1" 90° HOSE BARB	300	10/BAG
M200125BRB90	2" FLANGE X 1 1/4" 90° HOSE BARB	300	10/BAG
M200150BRB90	2" FLANGE X 1 1/2" 90° HOSE BARB	300	10/BAG
M200BRB90	2" FLANGE X 2" 90° HOSE BARB	300	1
M220150BRB90	2" FULL PORT FLANGE X 1 1/2" 90° HOSE BARB	300	1
M220BRB90	2" FULL PORT FLANGE X 2" 90° HOSE BARB	300	1
M300220BRB90	3" FLANGE X 2" 90° FULL PORT HOSE BARB	300	1
M300BRB90	3" FLANGE X 3" 90° HOSE BARB	150	1



45° HOSE BARB ELBOW

PART NO	DESCRIPTION	MAX PSI	QTY
M100BRB45	1" FLANGE X 1" 45° HOSE BARB ELBOW	300	10/BAG
M200BRB45	2" FLANGE X 2" 45° HOSE BARB ELBOW	300	1
M200150BRB45	2" FLANGE X 1 1/2" 45° HOSE BARB ELBOW	300	10/BAG
M220BRB45	2" FULL PORT FLANGE X 2" 45° HOSE BARB ELBOW	300	10/BAG
M300BRB45	3" FLANGE X 3" 45° HOSE BARB ELBOW	150	1



HOSE BARB TEE

PART NO	DESCRIPTION	MAX PSI	QTY
M100100HBT	1" FLANGE X 1" HOSE BARB TEE	300	10/BAG
M100125HBT	1" FLANGE X 1 1/4" HOSE BARB TEE	300	10/BAG
M220200HBT	2" FULL PORT FLANGE X 2" HOSE BARB TEE	300	1
M300200HBT	3" FLANGE X 2" HOSE BARB TEE	200	1
M300300HBT	3" FLANGE X 3" HOSE BARB TEE	150	1





Rib keeps gasket in place during assembly.



BOLTED FLANGE CLAMPS			
PART NO	DESCRIPTION	TORQUE	QTY
FC220B	2" FULL PORT BOLTED FLANGE CLAMP	150 IN/LBS	1
FC300B	3" BOLTED FLANGE CLAMP	150 IN/LBS	1

T-BOLT FLANGE CLAMPS			
PART NO	DESCRIPTION	TORQUE	QTY
FC220TB	2" FULL PORT HI-TORQUE T-BOLT FLANGE CLAMP	100 IN/LBS	10/BAG
FC300TB	3" FULL PORT HI-TORQUE T-BOLT FLANGE CLAMP	100 IN/LBS	10/BAG

FLANGE CLAMPS			
PART NO	DESCRIPTION	TORQUE	QTY
FC100	100 SERIES WORM SCREW CLAMP	50-60 IN/LBS	10/BAG
FC200	200 SERIES WORM SCREW CLAMP	90-100 IN/LBS	10/BAG
FC220	220 SERIES WORM SCREW CLAMP	90-100 IN/LBS	10/BAG
FC300	300 SERIES WORM SCREW CLAMP	90-100 IN/LBS	10/BAG

GASKETS			
PART NO	DESCRIPTION	GASKET MATERIAL	QTY
M100G	100 SERIES MANIFOLD GASKET	EPDM	10/BAG
M101G	100 SERIES MANIFOLD GASKET WITH RIB	EPDM	10/BAG
M100GV	100 SERIES GASKET	FKM	10/BAG
150G	200 SERIES GASKET	EPDM	10/BAG
150GV	200 SERIES GASKET	FKM	10/BAG
200G	220 SERIES FULL PORT GASKET	EPDM	10/BAG
200GV	220 SERIES FULL PORT GASKET	FKM	10/BAG
M201G	200 SERIES MANIFOLD GASKET WITH RIB	EPDM	10/BAG
M221G	220 SERIES FULL PORT MANIFOLD GASKET WITH RIB	EPDM	10/BAG
300G	300 SERIES GASKET	EPDM	10/BAG
300GV	300 SERIES GASKET	FKM	10/BAG
M301G	300 SERIES MANIFOLD GASKET WITH RIB	EPDM	10/BAG

MINI T STRAINERS			
PART NO	DESCRIPTION	MAX PSI	QTY
MLSTM100-30	1" MANIFOLD MINI T STRAINER 30 MESH	300	1
MLSTM100-50	1" MANIFOLD MINI T STRAINER 50 MESH	300	1
MLSTM100-80	1" MANIFOLD MINI T STRAINER 80 MESH	300	1
MLSTM100-100	1" MANIFOLD MINI T STRAINER 100 MESH	300	1

MINI T STRAINERS W/CLEAR BOWLS			
PART NO	DESCRIPTION	MAX PSI	QTY
MLSTM100-30C	1" MANIFOLD MINI T STRAINER 30 MESH WITH CLEAR BOWL	300	1
MLSTM100-50C	1" MANIFOLD MINI T STRAINER 50 MESH WITH CLEAR BOWL	300	1
MLSTM100-80C	1" MANIFOLD MINI T STRAINER 80 MESH WITH CLEAR BOWL	300	1
MLSTM100-100C	1" MANIFOLD MINI T STRAINER 100 MESH WITH CLEAR BOWL	300	1

FITTINGS

FEATURES

- Quick and easy assembly
- Positive seals
- Easy on/off hose connections
- 360° orientation
- Where noted, parts must be ordered in bag quantities

MINI T LINE STRAINERS

- Heavy duty glass reinforced polypropylene
- Clear or black bowl
- Polypropylene ribbed 316 stainless steel screens
- EPDM gaskets standard
- Convenient color coded screens for easy mesh size identification.

1"-2" T LINE STRAINERS

FEATURES

- EPDM gaskets
- Poly ribbed 316 stainless steel screens



1" MANIFOLD T LINE STRAINERS

PART NO	DESCRIPTION	MAX PSI	QTY
MLST100-16	1" MANIFOLD T STRAINER W/16 MESH SCREEN	300	1
MLST100-30	1" MANIFOLD T STRAINER W/30 MESH SCREEN	300	1
MLST100-50	1" MANIFOLD T STRAINER W/50 MESH SCREEN	300	1
MLST100-80	1" MANIFOLD T STRAINER W/80 MESH SCREEN	300	1
MLST100-100	1" MANIFOLD T STRAINER W/100 MESH SCREEN	300	1

2" MANIFOLD T LINE STRAINERS

PART NO	DESCRIPTION	MAX PSI	QTY
MLST150-16	2" MANIFOLD T STRAINER W/16 MESH SCREEN	225	1
MLST150-30	2" MANIFOLD T STRAINER W/30 MESH SCREEN	225	1
MLST150-50	2" MANIFOLD T STRAINER W/50 MESH SCREEN	225	1
MLST150-80	2" MANIFOLD T STRAINER W/80 MESH SCREEN	225	1
MLST150-80V	2" MANIFOLD T STRAINER W/80 MESH SCREEN WITH FKM GASKETS	225	1
MLST150-100	2" MANIFOLD T STRAINER W/100 MESH SCREEN	225	1

1"-2" Y LINE STRAINERS

FEATURES

- EPDM gaskets
- Poly ribbed 316 stainless steel screens



1" MANIFOLD Y LINE STRAINERS

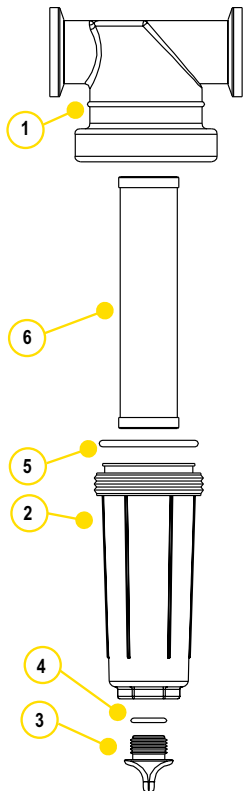
PART NO	DESCRIPTION	MAX PSI	QTY
MLS100-20	1" MANIFOLD Y STRAINER W/20 MESH SCREEN	225	1
MLS100-40	1" MANIFOLD Y STRAINER W/40 MESH SCREEN	225	1
MLS100-50	1" MANIFOLD Y STRAINER W/50 MESH SCREEN	225	1
MLS100-80	1" MANIFOLD Y STRAINER W/80 MESH SCREEN	225	1



2" MANIFOLD Y LINE STRAINERS

PART NO	DESCRIPTION	MAX PSI	QTY
MLS200-06	2" MANIFOLD Y STRAINER W/6 MESH SCREEN	225	1
MLS200-12	2" MANIFOLD Y STRAINER W/12 MESH SCREEN	225	1
MLS200-20	2" MANIFOLD Y STRAINER W/20 MESH SCREEN	225	1
MLS200-30	2" MANIFOLD Y STRAINER W/30 MESH SCREEN	225	1
MLS200-50	2" MANIFOLD Y STRAINER W/50 MESH SCREEN	225	1
MLS200-50M	2" MANIFOLD Y STRAINER W/MOUNTING BRACKET W/50 MESH SCREEN	225	1
MLS200-80	2" MANIFOLD Y STRAINER W/80 MESH SCREEN	225	1
MLS200-100	2" MANIFOLD Y STRAINER W/100 MESH SCREEN	225	1
MLS200-120	2" MANIFOLD Y STRAINER W/120 MESH SCREEN	225	1

Quick-Couplings for Tubes and Hoses



REPLACEMENT PARTS 1"

ITEM	PART NO	DESCRIPTION	QTY
1	MLST100-H	1" T BODY	1
2	LST100-B	1" T BOWL, DRAIN PLUG, O-RING	1
3	12777	1/2" PLUG	1
4	UV15163	O-RING	1
5	LST100-G	1" EPDM GASKET	1
5	LST100-GV	1" FKM GASKET	1
6	LST116	16 MESH SCREEN	1
6	LST130	30 MESH SCREEN	1
6	LST150	50 MESH SCREEN	1
6	LST180	80 MESH SCREEN	1
6	LST1100	100 MESH SCREEN	1
KIT	MLST100-HB	KIT INCLUDES ITEMS 1-5	1

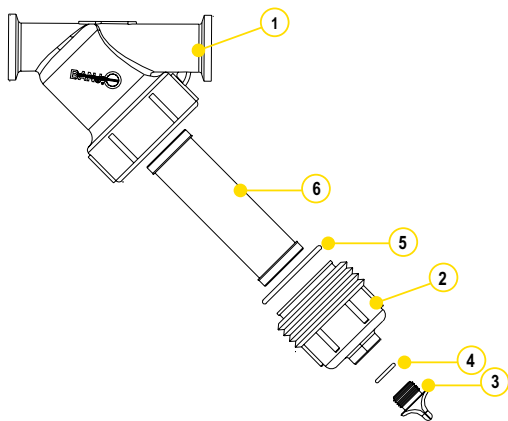
REPLACEMENT PARTS 2"

ITEM	PART NO	DESCRIPTION	QTY
1	MLST150-H	1 1/2" T BODY	1
2	LST150-B	1 1/2" T BOWL, DRAIN PLUG, O-RING	1
3	LSQ200-PL	1 1/2" PLUG	1
4	LSQ200-R	O-RING	1
5	LST150-G	1 1/2" EPDM GASKET	1
5	LST150-GV	1 1/2" FKM GASKET	1
6	LST1516	16 MESH SCREEN	1
6	LST1530	30 MESH SCREEN	1
6	LST1550	50 MESH SCREEN	1
6	LST1580	80 MESH SCREEN	1
6	LST15100	100 MESH SCREEN	1
KIT	MLST150-HB	KIT INCLUDES ITEMS 1-5	1

T LINE STRAINERS

SCREENS

MESH SIZE	RIB COLOR
16 MESH	BROWN RED
30 MESH	FLAME RED
50 MESH	GENTIAN BLUE
80 MESH	ZINC YELLOW
100 MESH	TRAFFIC GREEN



REPLACEMENT PARTS 1"

ITEM	PART NO	DESCRIPTION	QTY
1	MLS100B	1" Y BODY	1
2	LS100-C1	1" Y BOWL, DRAIN PLUG, O-RING	1
3	12777	1/2" PLUG	1
4	UV15163	O-RING	1
5	LS100-G	1" EPDM GASKET	1
6	LST150	50 MESH SCREEN	1
6	LST180	80 MESH SCREEN	1
KIT	MLS100BC	KIT INCLUDES ITEMS 1-5	1

REPLACEMENT PARTS 2"

ITEM	PART NO	DESCRIPTION	QTY
1	MLS200B	2" Y BODY	1
2	LS150-C	2" Y BOWL, DRAIN PLUG, O-RING	1
3	LSQ200-PL	2" PLUG	1
4	LSQ200-R	O-RING	1
5	LS150-G	2" EPDM GASKET	1
5	LS150-GV	2" FKM GASKET	1
6	LS206	6 MESH SCREEN	1
6	LS212	12 MESH SCREEN	1
6	LS220	20 MESH SCREEN	1
6	LS230	30 MESH SCREEN	1
6	LS250	50 MESH SCREEN	1
6	LS280	80 MESH SCREEN	1
6	LS2100	100 MESH SCREEN	1
6	LS2120	120 MESH SCREEN	1
KIT	MLS200BC	KIT INCLUDES ITEMS 1-5	1

Y LINE STRAINERS

SCREENS

MESH SIZE	RIB COLOR
6 MESH	WHITE
12 MESH	BLACK
20 MESH	BEIGE
30 MESH	FLAME RED
40 MESH	BROWN
50 MESH	GENTIAN BLUE
80 MESH	ZINC YELLOW
100 MESH	TRAFFIC GREEN
120 MESH	BLACK

2" FULL PORT Y LINE STRAINERS

FEATURES

- EPDM gaskets
- 316 stainless steel screens



2" MANIFOLD Y LINE STRAINERS

PART NO	DESCRIPTION	MAX PSI	QTY
MLS222-04	2" FULL PORT MANIFOLD Y STRAINER W/4 MESH SCREEN	225	1
MLS222-06	2" FULL PORT MANIFOLD Y STRAINER W/6 MESH SCREEN	225	1
MLS222-08	2" FULL PORT MANIFOLD Y STRAINER W/8 MESH SCREEN	225	1
MLS222-10	2" FULL PORT MANIFOLD Y STRAINER W/12 MESH SCREEN	225	1
MLS222-16	2" FULL PORT MANIFOLD Y STRAINER W/16 MESH SCREEN	225	1
MLS222-30	2" FULL PORT MANIFOLD Y STRAINER W/30 MESH SCREEN	225	1
MLS222-50	2" FULL PORT MANIFOLD Y STRAINER W/50 MESH SCREEN	225	1
MLS222-80	2" FULL PORT MANIFOLD Y STRAINER W/80 MESH SCREEN	225	1
MLS222-100	2" FULL PORT MANIFOLD Y STRAINER W/100 MESH SCREEN	225	1

3" Y LINE STRAINERS

FEATURES

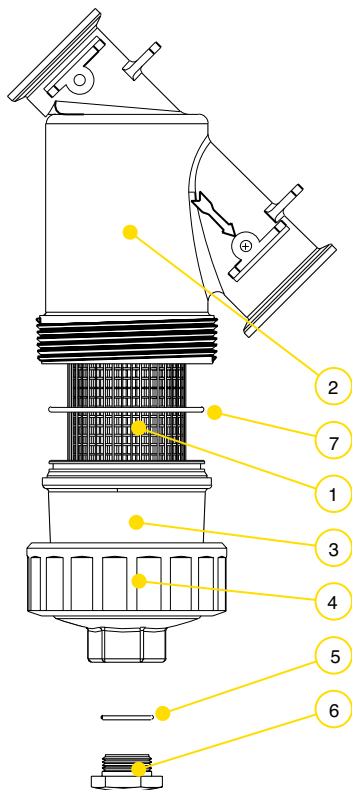
- EPDM gaskets
- 304 stainless steel screens
- Must use on suction side or non-pressure side in all applications



3" MANIFOLD Y LINE STRAINERS

PART NO	DESCRIPTION	MAX PSI	QTY
MLS300-08	3" MANIFOLD Y STRAINER W/8 MESH SCREEN	100	1
MLS300-12	3" MANIFOLD Y STRAINER W/12 MESH SCREEN	100	1
MLS300-20	3" MANIFOLD Y STRAINER W/20 MESH SCREEN	100	1
MLS300-50	3" MANIFOLD Y STRAINER W/50 MESH SCREEN	100	1

2" FULL PORT Y LINE STRAINERS

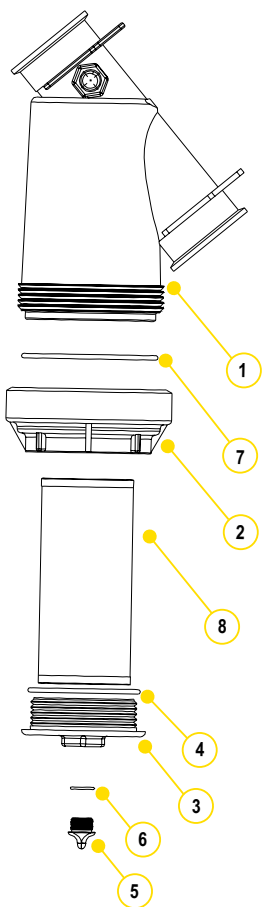


REPLACEMENT PARTS 2"

ITEM	PART NO	DESCRIPTION	QTY
1	LST204SS	4 SS MESH SCREEN	1
1	LST206SS	6 SS MESH SCREEN	1
1	LST208SS	8 SS MESH SCREEN	1
1	LST210SS	10 SS MESH SCREEN	1
1	LST216SS	16 SS MESH SCREEN	1
1	LST230SS	30 SS MESH SCREEN	1
1	LST250SS	50 SS MESH SCREEN	1
1	MLS250SS	50 SS MESH PERFORATED SCREEN	1
1	LST280SS	80 SS MESH SCREEN	1
1	MLS280SS	80 SS MESH PERFORATED SCREEN	1
1	LST2100SS	100 SS MESH SCREEN	1
1	MLS2100SS	100 SS MESH PERFORATED SCREEN	1
2	MLS222B	2" FLANGED Y STRAINER BODY	1
3	MLS220C1	2" FLANGED Y STRAINER CAP	1
4	MLS220R1	2" FLANGED Y STRAINER RING	1
5	LSQ200-R	2" PLUG GASKET	1
6	LSQ200-PL	2" PLUG	1
7	MLS220G1	2" BODY GASKET	1
2-7	MLS222BC	STRAINER WITHOUT SCREEN	1

FEATURES

- EPDM gaskets
- 316 stainless steel screens



REPLACEMENT PARTS 3"

ITEM	PART NO	DESCRIPTION	QTY
1	MLS300B	3" FLANGED Y STRAINER BODY	1
2	MLS300CAP	3" FLANGED Y STRAINER CAP	1
3	LS300EC	3" END CAP	1
4	MLS300ECG	3" EPDM END CAP GASKET	1
4	MLS300ECGV	3" FKM END CAP GASKET	1
5	13777	3/4" PLUG	1
6	13778	O-RING	1
7	MLS300G	3" EPDM CAP GASKET	1
7	MLS300GV	3" FKM CAP GASKET	1
8	LS304	4 SS MESH SCREEN	1
8	LS308	8 SS MESH SCREEN	1
8	LS312	12 SS MESH SCREEN	1
8	LS320	20 SS MESH SCREEN	1
8	LS350	50 SS MESH SCREEN	1
1-7	MLS300BC	STRAINER WITHOUT SCREEN	1

3" Y LINE STRAINERS

FEATURES

- EPDM gaskets
- 304 stainless steel screens
- Must use on suction side or non-pressure side in all applications

BOTTOM DRAIN BOLTED TANK FITTINGS

FEATURES

- Stainless steel bolts
- Bolt head plugs sealed ultrasonically
- Glass reinforced polypropylene
- EDPM standard
- FKM available



BOTTOM DRAIN BOLTED TANK FITTINGS

PART NO	DESCRIPTION	MAX PSI	QTY
MBF100BD	1" FLANGE X 1" EPDM FEMALE THREAD	150	27
MBF100BDV	1" FLANGE X 1" FKM FEMALE THREAD	150	27
MBF150200BD	2" FLANGE X 1½" EPDM FEMALE THREAD	150	27
MBF200BD	2" FLANGE X 2" EPDM FEMALE THREAD	150	25
MBF220BD	2" FULL PORT FLANGE X 2" EPDM FEMALE THREAD	150	27
MBF300BD	3" FLANGE X 3" EPDM FEMALE THREAD	150	16
MBF300BDV	3" FLANGE X 3" FKM FEMALE THREAD	150	16

BOTTOM DRAIN TANK FITTINGS

FEATURES

- Stainless steel bolts
- Bolt head plugs sealed ultrasonically
- Glass reinforced polypropylene
- EDPM standard
- Groove allows more drainage
- Gasket not included



BOTTOM DRAIN BOLTED TANK FITTINGS

PART NO	DESCRIPTION	HOLE SIZE	MAX PSI	QTY
MTF220BD	2" FULL PORT FLANGE X 2" EPDM FLANGE	3¼"	300	1
MTF300BD	3" FLANGE X 3" EPDM FLANGE	4½"	200	1

BOLTED TANK FITTINGS

FEATURES

- Stainless steel bolts
- Bolt head plugs sealed ultrasonically
- Glass reinforced polypropylene
- EDPM standard
- FKM available



BOLTED TANK FITTINGS

PART NO	DESCRIPTION	MAX PSI	QTY
MBF100	1" FLANGE X 1" EPDM FEMALE THREAD	150	27
MBF100V	1" FLANGE X 1" FKM FEMALE THREAD	150	27
MBF200	2" FLANGE X 2" EPDM FEMALE THREAD	150	27
MBF200V	2" FLANGE X 2" FKM FEMALE THREAD	150	27
MBF220	2" FULL PORT FLANGE X 2" EPDM FEMALE THREAD	150	27
MBF220V	2" FULL PORT FLANGE X 2" FKM FEMALE THREAD	150	27
MBF300	3" FLANGE X 3" EPDM FEMALE THREAD	150	27
MBF300V	3" FLANGE X 3" FKM FEMALE THREAD	150	27